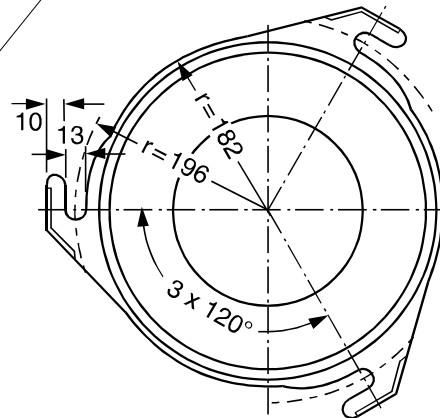


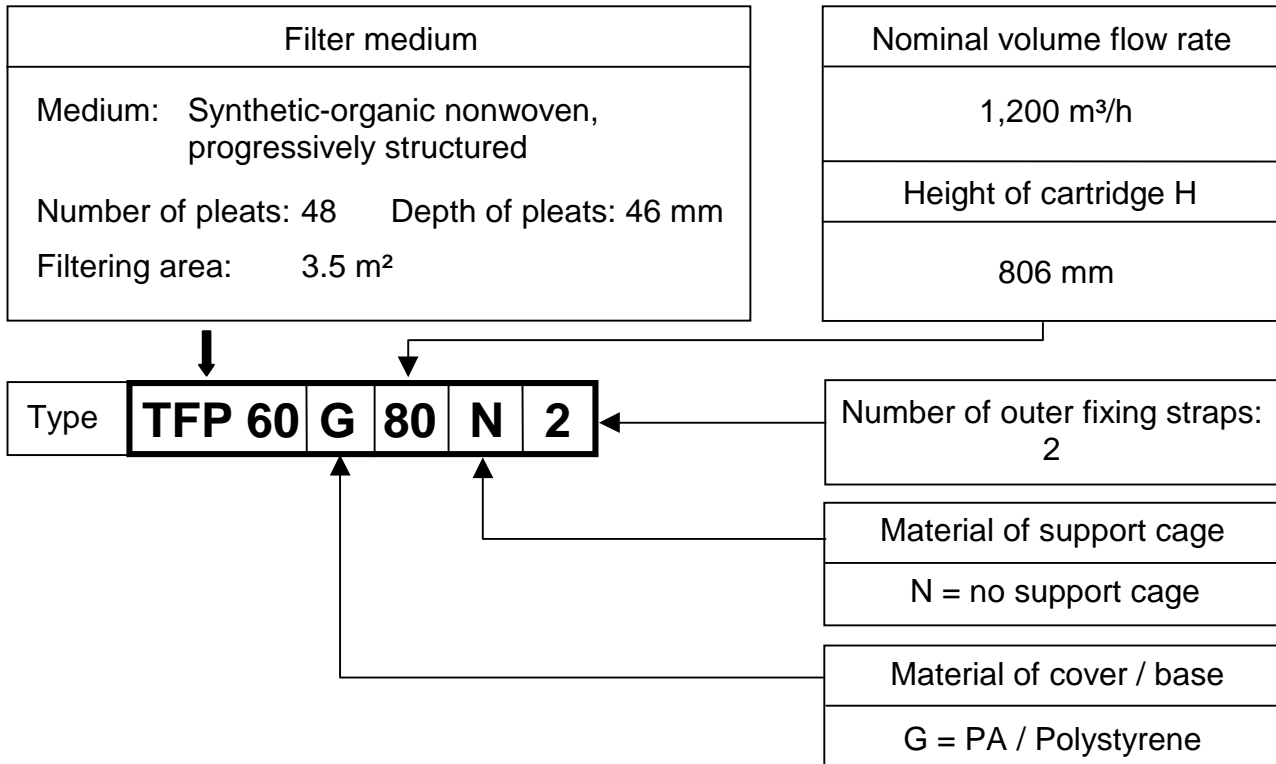
List of parts

Item	Number
Seal	2
Cover	1
Filter medium, pleated	1
Outer fixing straps	2
Base	1



Necessary accessory:

- Support cage 327/800



The figures given are mean values subject to tolerances due to the normal production variations. The accuracy of the data given when applied to individual cases requires our express written confirmation.