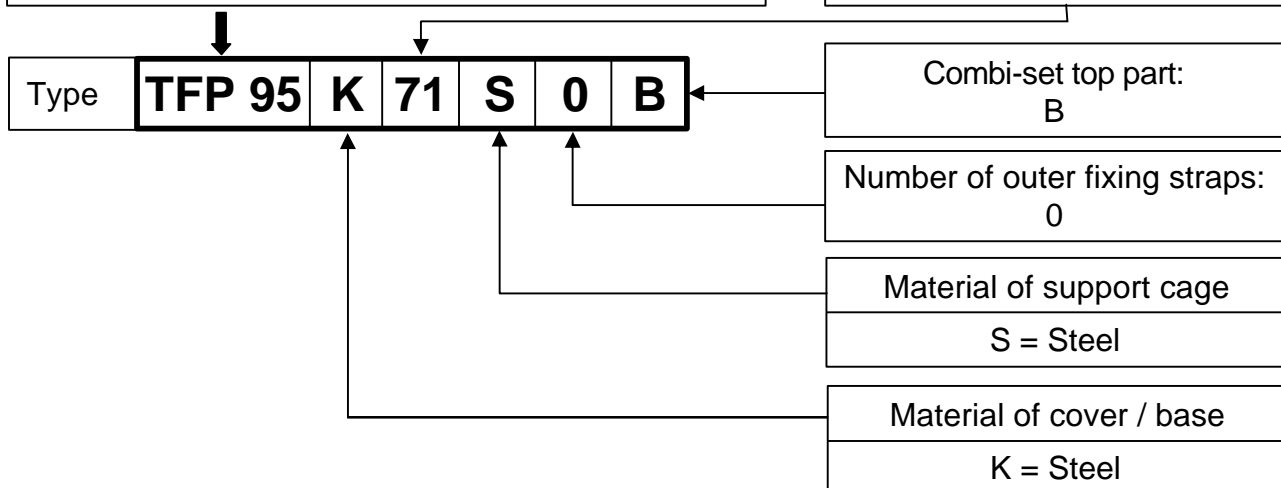


List of parts

Item	Number
Seal	1
Cover	1
Support cage	1
Outer fixing straps	0
Filter medium, pleated	1
Base	1

Filter medium
Medium: 3-layer synthetic-organic nonwoven, progressively structured
Number of pleats: 175 Depths of pleats: 48 mm
Filtering area: 12 m ²

Nominal volume flow rate
1,075 m ³ /h
Height of cartridge H
715 mm



The figures given here are mean values with tolerances due to the normal production fluctuations. Our explicit written confirmation is always required for the correctness and applicability of the information involved in any particular case.