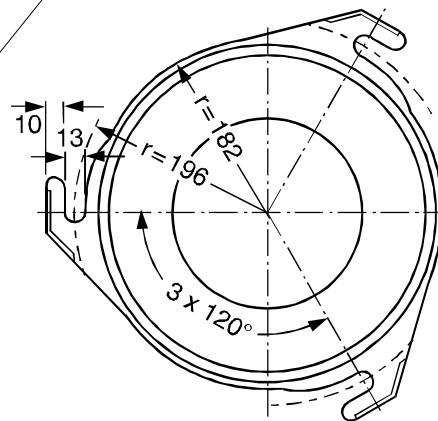


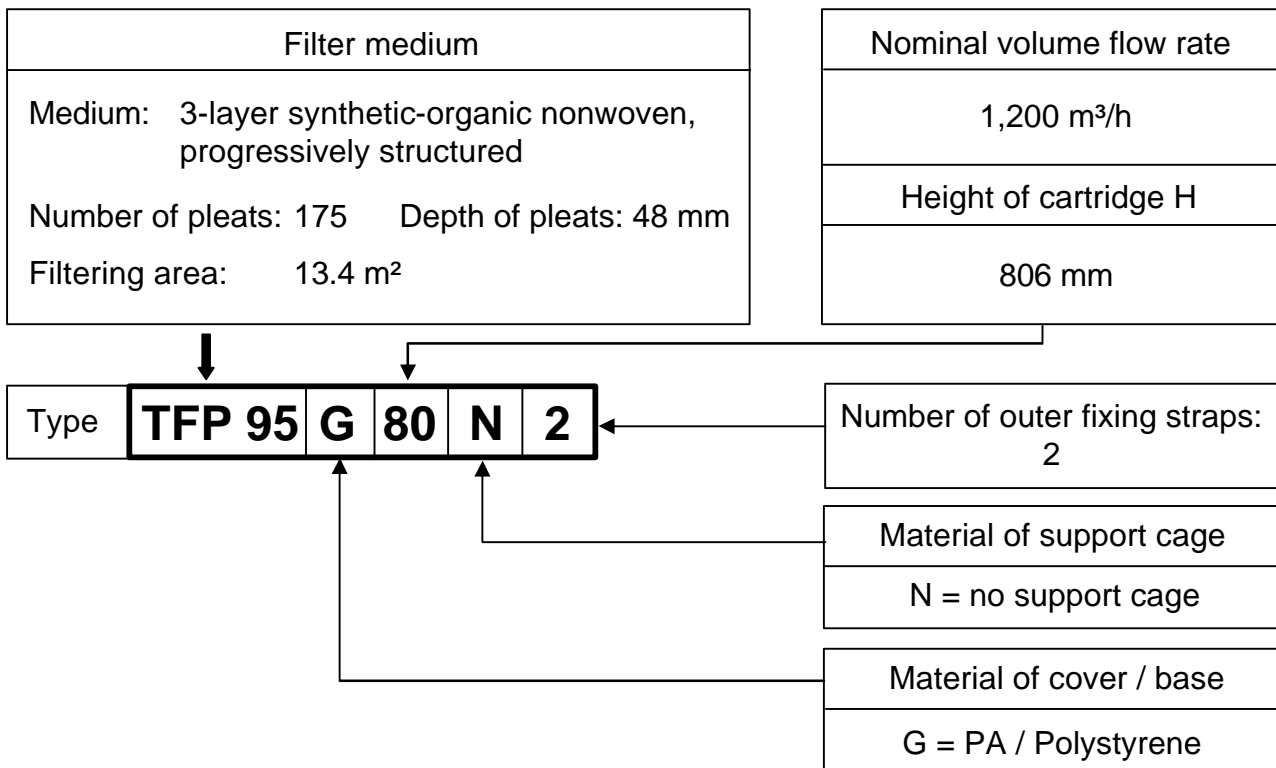
List of parts

Item	Number
Seal	2
Cover	1
Filter medium, pleated	1
Outer fixing straps	2
Base	1



Necessary accessory:

- Support cage 327/800



The figures given here are mean values with tolerances due to the normal production fluctuations. Our explicit written confirmation is always required for the correctness and applicability of the information involved in any particular case.